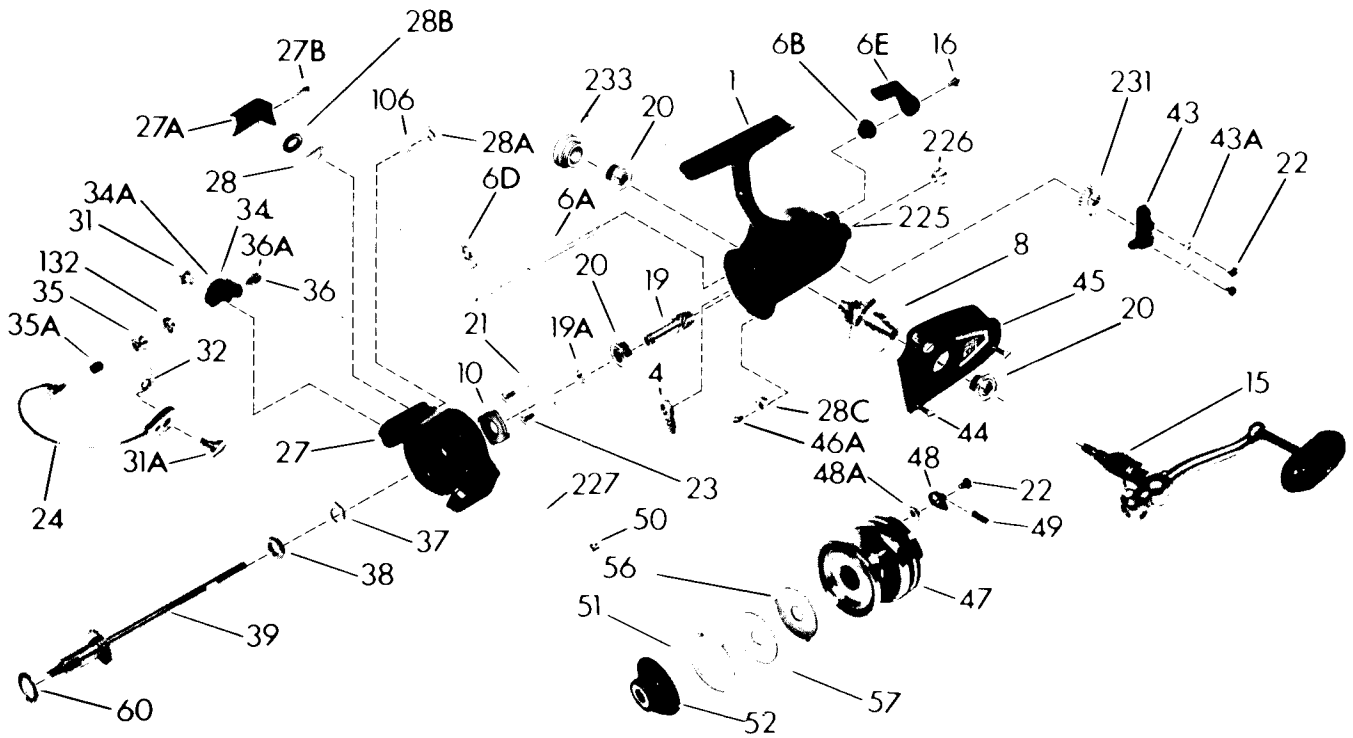




PARTS AND PRICE LIST FOR MODEL 440SS



Key No.	Part No.	Description	Price	Key No.	Part No.	Description	Price
1	1-440	Housing	\$12.10	35	35-704	Line Roller	\$ 3.15
4	4-450	Dog	.75	35A	35A-704	Line Roller Bushing	.40
6A	6A-440	Eccentric	1.30	36	36-750	Bail Stud Screw	.40
6B	6B-750	Eccentric Liner	.40	36A	36A-750	Lock Washer	.40
6D	6D-710	Eccentric Spring	.40	37	37-450	Rotor Washer	.45
6E	6E-750	Eccentric Lever	.75	38	38-550	Rotor Nut	.45
8	8-440	Main Gear	7.95	39	39-440	Crosswind Shaft	3.15
10	10-440	Ratchet	.60	43	43-440	Crosswind Block	1.70
15	15-440	Handle (Complete)	10.95	43A	43A-440	Crosswind Block Plate	.60
16	16-910	Eccentric Screw	.40	44	44-704	Housing Cover Screw	.40
19	19-440	Pinion	5.45	45	45-440	Housing Cover	3.40
19A	19A-550	Pinion Spacer	.70	46A	46A-704	Trip Cam Screw	.40
20	20-722	Ball Bearing	11.00	47	47-440	Spool (Complete)	16.00
21	21-450	Bearing Cover	.75	48	48-450	Click Tongue	.40
22	22-750	Spool Click Screw	.40	48A	48A-750	Click Tongue Washer	.40
23	23-750	Bearing Cover Screw	.40	49	49-710	Click Tongue Spring	.40
24	24-440	Bail Wire	6.90	50	50-712	Bail Spring Cover Screw	.45
27	27-440	Rotor	7.30	51	51-440	Retaining Ring	.60
27A	27A-440	Bail Trip Cover	.95	52	52-440	Drag Knob	4.30
27B	27B-420	Rotor End Screw	.45	56	56-440	Drag Washer	.95
28	28-440	Trip Lever	.95	57	57-440	Metal Slot Washer	.60
28A	28A-440	Cam Lever	.95	60	60-450	Thrust Washer (Teflon*)	.50
28B	28B-440	Trip Lever Bushing	.60	106	106-5500	Lever Spring	.45
28C	28C-440	Trip Cam	.70	132	132-450	Roller Washer	.70
31	31-550	Bail Arm Screw	.85	225	225-440	Crosswind Shaft Bushing	.60
31A	31A-450	Trip Arm Screw	.40	226	226-450	Bushing Cap Cover	.85
32	32-440	Bail Spring	.75	227	227-440	Bail Spring Cover	.60
34	34-450	Bail Arm	1.75	231	231-440	Crosswind Gear	3.15
34A	35A-550	Bail Arm Bushing	.40	233	233-440	Bearing Cover	1.90